

THREADED THERMOWELL
Internal and external thread

Type:
MA-PW1

10123-E190224V2.3

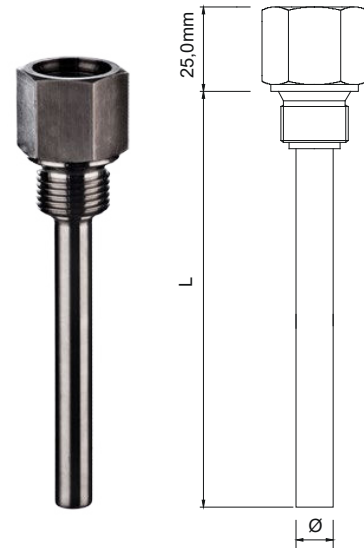


Application:

- For protecting temperature sensors
- For tasks that require easy and quick replacement of temperature sensors without interruption of the process
- Field of application: up to 600°C, max. 50bar and media velocities
- of up to 25 m/sec

Properties:

- Thread: Standard
- Available in any length required
- Available in different materials, e.g. stainless steel and Teflon
- Mechanical and thermal stress in accordance with DIN 43772



MECHANICAL SPECIFICATIONS:

Protective sheath:
Stainless acid-proof steel EN 1.4571 (AISI 316Ti)
Stainless acid-proof steel EN 1.4404 (AISI 316L)
Teflon
Special

Diameter [mm]:
Ø8 (inner diameter Ø6)
Ø9 (inner diameter Ø7)
Ø10 (inner diameter Ø8)
Ø11 (inner diameter Ø9)
Ø12 (inner diameter Ø10)
Ø15 (inner diameter Ø11)
Special

Immersion length L [mm]:
50 / 100 / 150 / 200 / 250
Special

Process attachment:
1/2" BSP
3/4" BSP
Special

Internal thread:
1/2" BSP (only for 1/2" BSP external)
3/4" BSP (only for 3/4" BSP external)
Special