

THREADED THERMOWELL
Compression fitting.

Type:
MA-PW3

Sheet No.
5-15 V2.2
10123-E010818V2.2



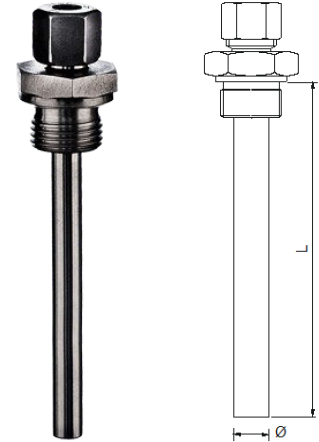
Application:

- In containers, tanks and pipe systems where the sensor can be replaced without emptying the system
 - Usually applied in: The food industry, the pharmaceutical, cosmetic and chemical/ technical industries
 - Field of application: up to 600°C, max. 50bar and media velocities of up to 25 m/sec

Properties:

- Can be applied with all types of temperature sensors
- Process attachment: Nipple
- Stainless acid-proof steel
- Fitting: Compression fitting with steel or Teflon olives
- Mechanical and thermal stress in accordance with DIN 43772

The temperature sensor can be mounted and dismantled without interrupting electrical connections



MECHANICAL SPECIFICATIONS:

Protective sheath: -----
Stainless acid-proof steel, EN 1.4571
(AISI 316Ti) Steel

Diameter [mm]: -----
Ø8 (inner diameter Ø6)
Ø9 (inner diameter Ø7)
Ø10 (inner diameter Ø8)
Ø11 (inner diameter Ø9)
Ø12 (inner diameter Ø10)
Ø15 (inner diameter Ø11)
Special

Immersion length L1 [mm]: -----
50 / 100 / 150 / 200
Special

Process attachment: -----
1/4" BSP (thermowell outer diameter max. Ø8mm)
1/2" BSP (thermowell outer diameter max. Ø15mm)
3/4" BSP (thermowell outer diameter max. Ø22mm)
Special

Olives for compression fitting: -----
Teflon
Steel