

THREADED THERMOWELL
Compression fitting with Teflon or Steel
olives

Type:
MA-PW2

Sheet No.
5-10 V2.1
10123-E010818V2.1

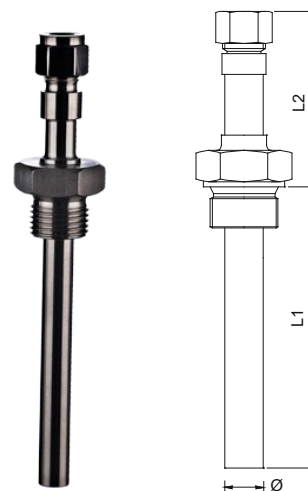


Application:

- In plants/units where the sensor can be replaced without emptying the system
- Usually applied in: The refrigeration industry, the processing industry

Properties:

- Can be applied with all types of temperature sensors
- Process attachment: Nipple
- Stainless acid-proof steel
- Fitting: Compression fitting
- The temperature sensor can be mounted and dismantled without interrupting electrical connections



MECHANICAL SPECIFICATIONS:

Protective sheath: -----
Stainless acid-proof steel, EN 1.4571
(AISI 316Ti) Steel

Diameter [mm]: -----
Ø8 (inner diameter Ø6)
Ø9 (inner diameter Ø7)
Ø10 (inner diameter Ø8)
Ø11 (inner diameter Ø9)
Ø12 (inner diameter Ø10)
Ø15 (inner diameter Ø11)
Special

Extension length L2 [mm]: -----
None
50 (standard)
Special

Immersion length L1 [mm]: -----
50 / 100 / 150 / 200
Special

Process attachment: -----
1/4" BSP (thermowell outer diameter max. Ø8mm)
1/2" BSP (thermowell outer diameter max. Ø15mm)
3/4" BSP (thermowell outer diameter max. Ø22mm)
Special

Olives for compression fitting: -----
Teflon
Steel