

**THREADED THERMOWELL**  
Internal and external thread

**Type:**  
**MA-PW1**

10123-E190224V2.3

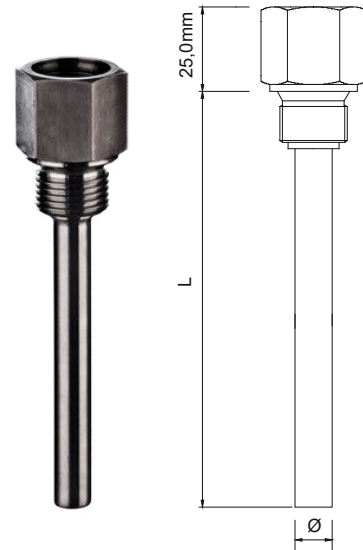


**Application:**

- For protecting temperature sensors
- For tasks that require easy and quick replacement of temperature sensors without interruption of the process
- Field of application: up to 600°C, max. 50bar and media velocities
- of up to 25 m/sec

**Properties:**

- Thread: Standard
- Available in any length required
- Available in different materials, e.g. stainless steel and Teflon
- Mechanical and thermal stress in accordance with DIN 43772



**MECHANICAL SPECIFICATIONS:**

**Protective sheath:** .....   
Stainless acid-proof steel EN 1.4571 (AISI 316Ti)  
Stainless acid-proof steel EN 1.4404 (AISI 316L)  
Teflon  
Special

**Diameter [mm]:** .....   
Ø8 (inner diameter Ø6)  
Ø9 (inner diameter Ø7)  
Ø10 (inner diameter Ø8)  
Ø11 (inner diameter Ø9)  
Ø12 (inner diameter Ø10)  
Ø15 (inner diameter Ø11)  
Special

**Immersion length L [mm]:** .....   
50 / 100 / 150 / 200 / 250  
Special

**Process attachment:** .....   
1/2" BSP  
3/4" BSP  
Special

**Internal thread:** .....   
1/2" BSP (only for 1/2" BSP external)  
3/4" BSP (only for 3/4" BSP external)  
Special