

THREADED THERMOWELL
Instrument attachment: Union

Type:
MA-PW-C1

Sheet No.
5-30 V2.1
10123-E010818V2.1

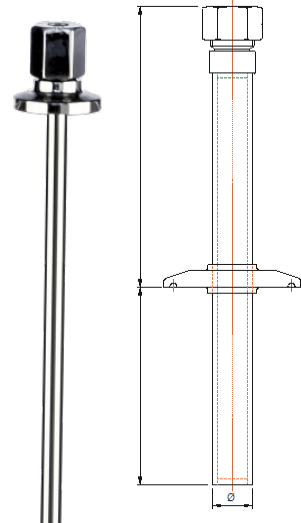


Application:

- In containers, tanks and pipe systems where the sensor can be replaced without emptying the system
- Usually applied in: the food industry and the pharmaceutical, cosmetic and chemical/ technical industries

Properties:

- Used for temperature sensors and mechanical thermometers
- Stainless acid-proof steel AISI 316L



MECHANICAL SPECIFICATIONS:

Material: -----
Stainless acid-proof steel EN 1.4404 (AISI 316L)

Extension length L2 [mm]: -----
None / 50
Special

Nominal length L1 [mm]: -----
50 / 100 / 150 / 200 / 250
Special

Process attachment: -----
3/4" Clamp
DN 38 (1½" clamp) ISO 2852
DN 51 (2" clamp) ISO 2852
Special

Outer diameter Ø [mm]: -----
Ø6 / Ø8 / Ø12
Special

Surface area of parts with media contact: -----
Mechanically polished <0,8 µm
Electro-polished <0,5 µm

Olive for compression fitting: -----
Teflon
Steel