

ADJUSTABLE NIPPLE
Compression fitting: Steel or Teflon

Type:
MA-AN

Sheet No.
5-1 V2.1
10114-E010818V2.1

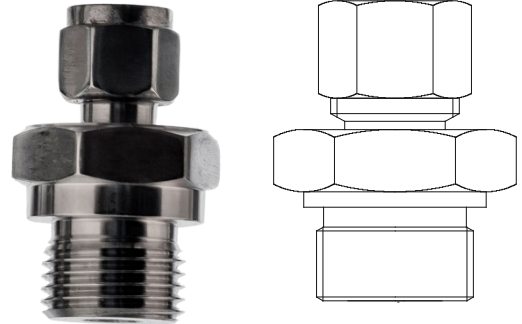


Application:

- For fitting plain sensors in unions or thermowells
- For applications where the precise inset length of the thermowell is unknown, and for direct contact with different media

Properties:

- Can be easily mounted
- Close fit with sensor
- Available in different materials, e.g. stainless steel, brass, steel



MECHANICAL SPECIFICATIONS:

Material: -----
EN 1.4571 (AISI 316Ti)

For sensor diameter: -----
Ø6mm
Ø8mm
Ø9mm
Ø10mm
Ø11mm
Ø12mm
Special

Process attachment: -----
1/4" BSP (sensor outer diameter max. Ø8mm)
1/2" BSP (sensor outer diameter max. Ø15mm)
Special

Compression fitting: -----
Teflon
Steel